



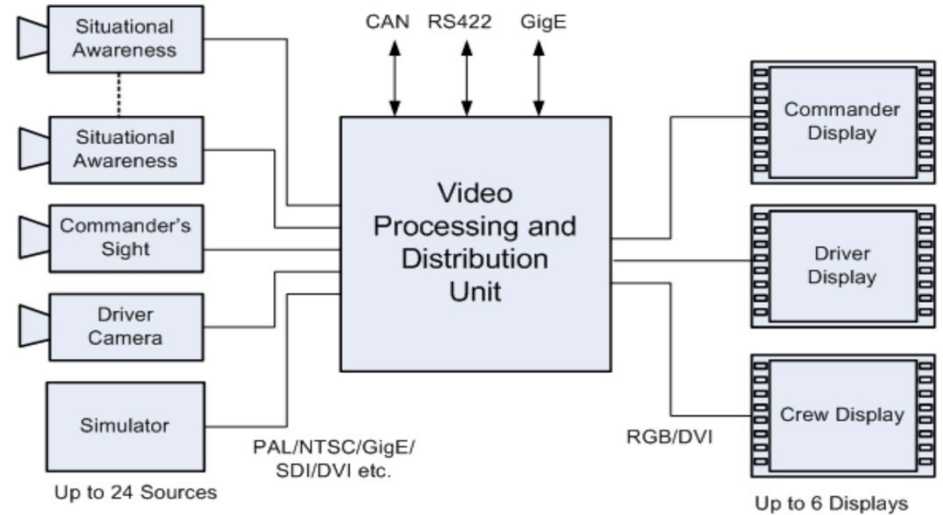
VISION4CE
accelerating vision technology



Key Features

- Up to 24 diverse video inputs
SD, HD, Analog, Digital, Synthetic
- Multiple independent display outputs -VGA, DP, DVI, HDMI
- Extremely low latency video distribution
- Graphic overlay and optimized HMI
- Target detection
- Panoramic 360 or sector formation
- Video recording and streaming

RUGGED VIDEO DISTRIBUTION & CONTROL



Full qualification including gun shock
Multi-channel high speed >20GB bandwidth digital switch